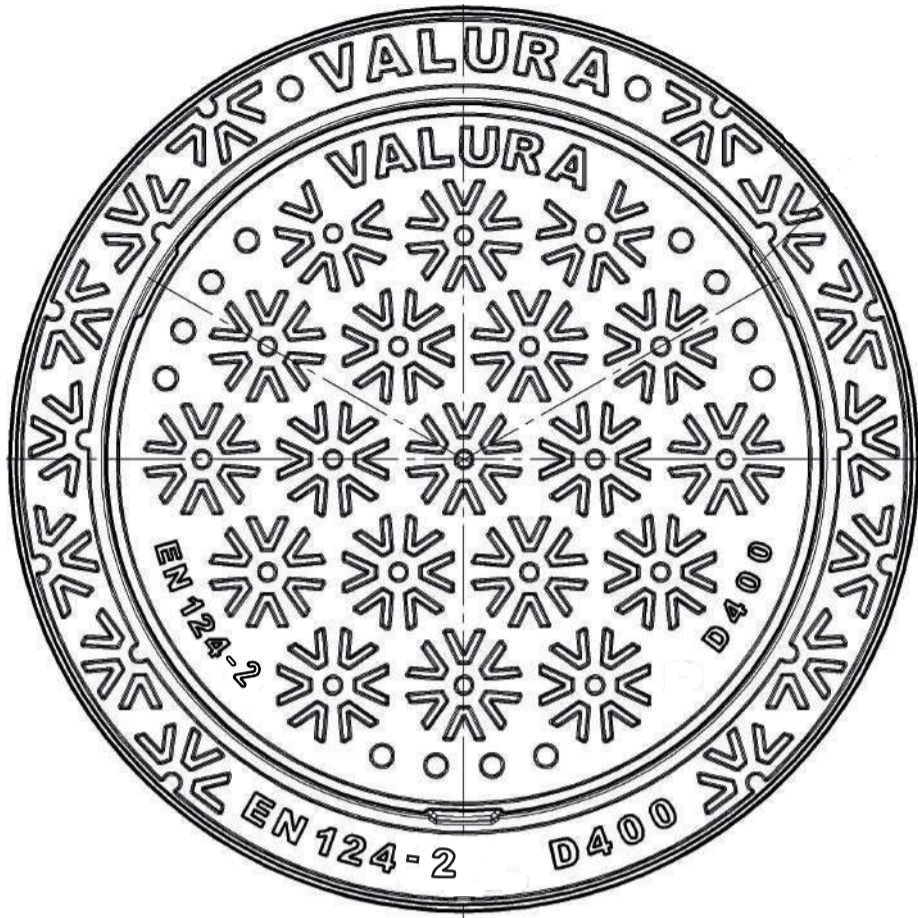
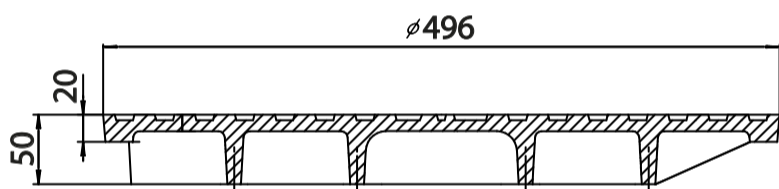


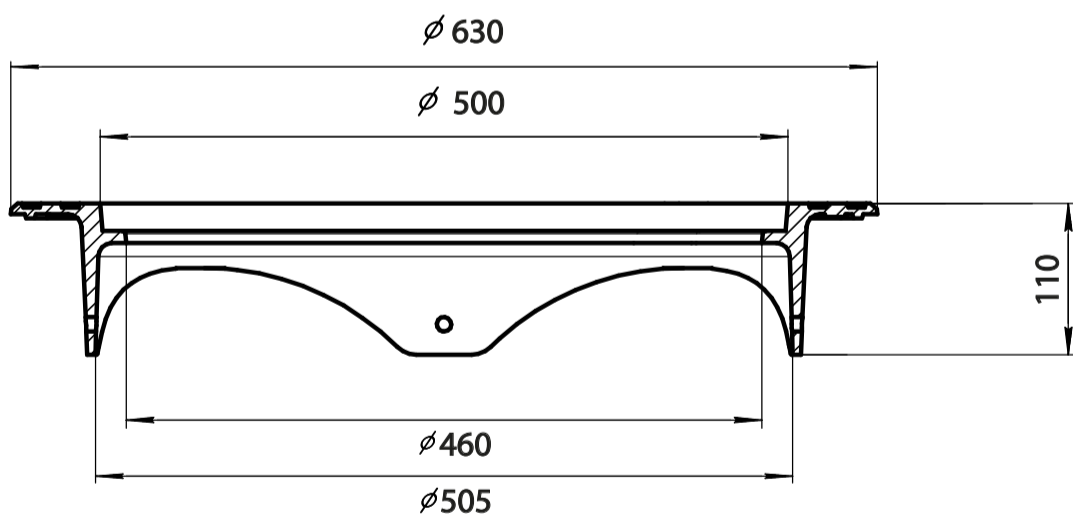
## Cover and Frame with lock for Pipes 500 mm



Cover art. 500MI D400



Frame art. 500Fnl D400



Standard	EN124 -2 : 2015
EN 124 Class	D400
Place of installation	Carriageways of roads
Material	Ductile Cast Iron
Packing	Wooden Pallets
Quantity per Pallet	18-36 sets

**VALURA®**

Valura Oy, Birger Kaipiainen piha 3 C 29, FI-00560, Helsinki

info@valura.fi www.valura.fi

